

WORKING IN NEIGHBORHOODS

TRO 55 - Property Maintenance



TULSA HEALTH
Department

2018

TITLE 55 PROPERTY MAINTENANCE CODE

CHAPTER 1. GENERAL RULES OF PROPERTY MAINTENANCE

CHAPTER 2. GENERAL PRINCIPLES AND INTERPRETATION

CHAPTER 3. STRUCTURE AND PREMISES STANDARDS

CHAPTER 4. LIGHT, VENTILATION, AND OCCUPANCY LIMITATIONS

CHAPTER 5. PLUMBING AND DRAINAGE SYSTEMS

CHAPTER 6. MECHANICAL, HEATING AND ELECTRICAL SYSTEMS

CHAPTER 7. FIRE SAFETY

CHAPTER 8. CHRONIC NUISANCE PROPERTY

CHAPTER 9. BOARDING OF BUILDINGS

CHAPTER 10. VACANT PROPERTIES

CHAPTER 1. GENERAL RULES OF PROPERTY MAINENANCE

SECTION 101. OVERVIEW.

101.1 Title. These provisions shall be known and may be cited as the "Property Maintenance Code of the City of Tulsa" or as the "Tulsa Property Maintenance Code", hereinafter referred to as "this Code."

101.2 Scope. The provisions of this Code shall apply to all existing residential and nonresidential structures and all existing premises within the City of Tulsa, and constitute minimum requirements and standards for premises, structures, equipment and facilities for light, ventilation, space, heating, sanitation, protection from the elements, life safety, safety from fire and other hazards, and for safe and sanitary maintenance. This Code shall identify the responsibility of owners, operators and occupants and shall set forth the requisites for occupancy of existing structures and premises, and provide for administration, enforcement and penalties.

101.3 Intent. This Code shall be construed to secure its expressed intent, which is to ensure public health, safety and welfare insofar as they are affected by the continued occupancy and maintenance of structures and premises within the City of Tulsa. Existing structures and premises that do not comply with these provisions shall be altered or repaired to provide a minimum level of health and safety as required herein.

101.4 Severability. If a section, subsection, sentence, clause or phrase of this Code is, for any reason, held to be unconstitutional or otherwise unlawful, such decision shall not affect the validity of the remaining portions of this Code.

SECTION 102 APPLICABILITY.

102.1 General. Where there is a conflict between a general requirement and a specific requirement, the specific requirement shall govern. Where differences occur between provisions of this Code and the referenced standards, the provisions of this Code shall apply. Where, in a specific case, different sections of this Code specify different requirements, the most restrictive shall govern.

102.2 Maintenance. Equipment, systems, devices and safeguards required by this Code or a previous regulation or code under which the structure or premises was constructed, altered or repaired shall be maintained in good working order. No owner, owner's authorized agent, operator or occupant shall cause any service, facility, equipment or utility that is required under this section to be removed from, shut off from or discontinued for any occupied dwelling, except for such temporary interruption as necessary while repairs or alterations are in progress. The requirements of this Code are not intended to provide the basis for removal or abrogation of fire protection and safety systems and devices in existing structures. Except as otherwise specified herein, the owner or the owner's authorized agent shall be responsible for the maintenance of buildings, structures and premises.

102.3 Application of other codes. Repairs, additions or alterations to a structure, or changes of occupancy, shall be performed in accordance with the procedures and provisions of applicable City of Tulsa codes.

102.4 Existing remedies. The provisions in this Code shall not be construed to abolish or impair existing remedies or the jurisdiction of its officers or agencies relating to the removal or demolition of any structure that is dangerous, unsafe and insanitary.

102.5 Workmanship. Repairs, maintenance work, alterations or installations that are caused directly or indirectly by the enforcement of this Code shall be executed and installed in a workmanlike manner and installed in accordance with the manufacturer's instructions.

102.6 Historic buildings. The provisions of this Code shall not be mandatory for existing buildings or structures designated as historic buildings where such buildings or structures are judged by the Code official to be safe and in the public interest of health, safety and welfare.

102.7 Referenced codes and standards. The codes and standards referenced in this Code shall be those that are listed in Chapter 8 and considered part of the requirements of this Code to the prescribed extent of each such reference and as further regulated in Sections 102.7.1 and 102.7.2.

Exception: Where enforcement of a Code provision would violate the conditions of the listing of the equipment or appliance, the conditions of the listing shall apply.

102.7.1 Conflicts. Where conflicts occur between provisions of this Code and the referenced standards, the provisions of this Code shall apply.

102.7.2 Provisions in referenced Code and standards. Where the extent of the reference to a code or standard includes subject matter that is within the scope of this Code, the provisions of this Code, as applicable, shall take precedence over the provisions in the referenced code or standard.

102.8 Requirements not covered by Code. Requirements necessary for the strength, stability or proper operation of an existing fixture, structure or equipment, or for the public safety, health and general welfare, not specifically covered by this Code, shall be determined by the code official.

102.9 Application of references. References to chapter or section numbers, or to provisions not specifically identified by number, shall be construed to refer to such chapter, section or provision of this Code.

102.10 Other laws. The provisions of this Code shall not be deemed to nullify any provisions of local, state or federal law.

SECTION 103. ENFORCEMENT

103.1 Enforcement Agency. The Enforcement Agency for this Code shall be the Working in Neighborhoods (WIN) Department of the City of Tulsa, any other department, division or section of the City of Tulsa authorized and directed to enforce the provisions of this Code, and the Tulsa City-County Health Department.

103.2 Appointment. The "code official," as used in this chapter shall be the Director of the Working in Neighborhoods (WIN) Department, the Director of any other department, division or section of the City of Tulsa authorized and directed to enforce this Code, the Director of the Tulsa City-County Health Department and such assistants as may be duly qualified, appointed and employed under the supervision of such directors to serve in the capacity of a code official..

SECTION 104. DUTIES AND POWERS OF THE CODE OFFICIAL

104.1 General. The code official is hereby authorized and directed to enforce the provisions of this Code. The code official shall have the authority to render interpretations of this Code and to adopt policies and procedures in order to clarify the application of its provisions. Such interpretations, policies and procedures shall be in compliance with the intent and purpose of this Code. Such policies and procedures shall not have the effect of waiving requirements specifically provided for in this Code.

104.2 Inspections. The code official shall make all of the required inspections, or shall accept reports of inspection by approved agencies or individuals. Reports of such inspections shall be in writing and be certified by a responsible officer of such approved agency or by the responsible individual. The code official is authorized to engage such expert opinion as deemed necessary to report upon unusual technical issues that arise, subject to the approval of the appointing authority.

104.3 Right of entry. Where it is necessary to make an inspection to enforce the provisions of this Code, or whenever the code official has reasonable cause to believe that there exists in a structure or upon a premises a condition in violation of this Code, the code official is authorized to enter the structure or premises at reasonable times to inspect or perform the duties imposed by this Code, provided that if such structure or premises is occupied the code official shall present credentials to the occupant and request entry. If such structure or premises is unoccupied, the code official shall first make a reasonable effort to locate the owner, owner's authorized agent or other person having charge or control of the structure or premises and request entry. If entry is refused, the code official shall have recourse to the remedies provided by law to secure entry.

104.4 Identification. The code official shall carry proper identification when inspecting structures or premises in the performance of duties under this Code.

104.5 Notices and orders. The code official shall issue all necessary notices or orders to ensure compliance with this Code.

104.6 Department records. The code official shall keep official records of all business and activities of the department specified in the provisions of this Code. Such records shall be retained in the official records for the period required for retention of public records.

SECTION 105 APPROVAL

105.1 Modifications. Whenever there are practical difficulties involved in carrying out the provisions of this Code, the code official shall have the authority to grant modifications for individual cases upon application of the owner or owner's authorized agent, provided the code official shall first find that special individual reason makes the strict letter of this Code impractical, the modification is in compliance with the intent and purpose of this Code and that such modification does not lessen health, life and fire safety requirements. The details of action granting modifications shall be recorded and entered in the department files.

105.2 Alternative materials, methods and equipment. The provisions of this Code are not intended to prevent the installation of any material or to prohibit any method of construction not specifically prescribed by this Code, provided that any such alternative has been approved by a code official, upon a finding that the proposed design is satisfactory and complies with the intent of the provisions of this Code, and that the material, method or work offered is, for the purpose intended, at least the equivalent of that prescribed in this Code in quality, strength, effectiveness, fire resistance, durability and safety. Where the alternative material, design or method of construction is not approved, the code official shall respond in writing, stating the reasons the alternative was not approved.

105.3 Required testing. Whenever there is insufficient evidence of compliance with the provisions of this Code or evidence that a material or method does not conform to the requirements of this Code, or in order to substantiate claims for alternative materials or methods, the code official shall have the authority to require tests to be made as evidence of compliance at no expense to the City of Tulsa.

105.3.1 Test methods. Test methods shall be as specified in this Code or by other recognized test standards. In the absence of recognized and accepted test methods, the code official shall be permitted to approve appropriate testing procedures performed by an approved agency.

105.3.2 Test reports. Reports of tests shall be retained by the code official for the period required for retention of public records.

105.4 Used material and equipment. The use of used materials that meet the requirements of this Code for new materials is permitted. Materials, equipment and devices shall not be reused unless such elements are in good repair or have been reconditioned and tested where necessary, placed in good and proper working condition and approved by the code official.

105.5 Approved materials and equipment. Materials, equipment and devices approved by the code official shall be constructed and installed in accordance with such approval.

105.6 Research reports. Supporting data, where necessary to assist in the approval of materials or assemblies not specifically provided for in this Code, shall consist of valid research reports from approved sources.

SECTION 106 VIOLATIONS

106.1 Unlawful acts. It shall be unlawful for a person, firm or corporation to be in conflict with or in violation of any of the provisions of this Code.

106.2 Notice of violation. The Code official shall serve a notice of violation or order in accordance with Section 107.

106.3 Prosecution of violation. Any person failing to comply with a notice of violation or order served in accordance with Section 107 shall be deemed guilty of a misdemeanor or civil infraction as determined by the local municipality, and the violation shall be deemed a strict liability offense. If the notice of violation is not complied with, the Code official shall institute the appropriate proceeding at law or in equity to restrain, correct or abate such violation, or to require the removal or termination of the unlawful occupancy of the structure in violation of the provisions of this Code or of the order or direction made pursuant thereto. Any action taken by the authority having jurisdiction on such premises shall be charged against the real estate upon which the structure is located and shall be a lien upon such real estate.

106.4 Violation penalties. Any person who shall violate a provision of this Code, or fail to comply therewith, or with any of the requirements thereof, shall be prosecuted within the limits provided by state or local laws. Each day that a violation continues after due notice has been served shall be deemed a separate offense.

106.5 Abatement of violation. The imposition of the penalties herein prescribed shall not preclude the legal officer of the jurisdiction from instituting appropriate action to restrain, correct or abate a violation, or to prevent illegal occupancy of a building, structure or premises, or to stop an illegal act, conduct, business or utilization of the building, structure or premises.

106.6 Property Manager. During any abatement process pursuant to this ordinance, the City may require the owner of the property subject to the abatement, to provide the name, physical address and telephone number of an individual (not a corporation, partnership, or limited liability company) to receive and to respond to communications concerning the property subject to the abatement process. The address must include a street address; a post office box is not acceptable. No subsequent action taken by the City shall be rendered ineffective due to the failure of the property owner to provide this information. No additional charge shall be assessed by the City due to having to request this information.

SECTION 107 NOTICES AND ORDERS

107.1 Notice to person responsible. Whenever the code official determines that there has been a violation of this Code or has grounds to believe that a violation has occurred, notice shall be given in the manner prescribed in Sections 107.2 and 107.3 to the person responsible for the violation and premise as specified in this Code. Notices for designated unsafe structures procedures shall also comply with Section 108.3.

107.2 Form. Such notice prescribed in Section 107.1 shall be in accordance with all of the following:

1. Be in writing.
2. Include a description of the real estate sufficient for identification.

3. Include a statement of the violation or violations and why the notice is being issued.
4. Include a correction order allowing a reasonable time to make the repairs and improvements required to bring the dwelling unit or structure into compliance with the provisions of this Code.
5. Inform the property owner or owner's authorized agent of the right to appeal.
6. Include a statement of the right to file a lien in accordance with Section 106.3.

107.3 Method of service. Such notice shall be deemed to be properly served if a copy thereof is:

1. Delivered personally;
2. Sent by certified or first-class mail addressed to the last known address;
3. A copy of the notice shall be posted in a conspicuous place in or about the structure affected by such notice.

107.4 Unauthorized tampering. Signs, tags or seals posted or affixed by the Code official shall not be mutilated, destroyed or tampered with, or removed without authorization from the Code official.

107.5 Penalties. Penalties for noncompliance with orders and notices shall be as set forth in Section 106.4.

107.6 Transfer of ownership. It shall be unlawful for the owner of any dwelling unit or structure who has received a compliance order or upon whom a notice of violation has been served to sell, transfer, mortgage, lease or otherwise dispose of such dwelling unit or structure to another until the provisions of the compliance order or notice of violation have been complied with, or until such owner or the owner's authorized agent shall first furnish the grantee, transferee, mortgagee or lessee a true copy of any compliance order or notice of violation issued by the Code official and shall furnish to the Code official a signed and notarized statement from the grantee, transferee, mortgagee or lessee, acknowledging the receipt of such compliance order or notice of violation and fully accepting the responsibility without condition for making the corrections or repairs required by such compliance order or notice of violation.

SECTION 108 UNSAFE STRUCTURES AND EQUIPMENT

108.1 General. When a structure or equipment is found by the code official to be unsafe, or when a structure is found unfit for human occupancy, or is found unlawful, such structure shall be designated pursuant to the provisions of this Code.

108.1.1 Unsafe structures. An unsafe structure is one that is found to be dangerous to the life, health, property or safety of the public or the occupants of the structure by not providing minimum safeguards to protect or warn occupants in the event of fire, or because such structure contains unsafe equipment or is so damaged, decayed, dilapidated, structurally unsafe or of such faulty construction or unstable foundation, that partial or complete collapse is possible.

108.1.2 Unsafe equipment. Unsafe equipment includes any boiler, heating equipment, elevator, moving stairway, electrical wiring or device, flammable liquid containers or other equipment on the premises or within

the structure which is in such disrepair or condition that such equipment is a hazard to life, health, property or safety of the public or occupants of the premises or structure.

108.1.3 Structure unfit for human occupancy. A structure is unfit for human occupancy whenever the Code official finds that such structure is unsafe, unlawful or, because of the degree to which the structure is in disrepair or lacks maintenance, is insanitary, vermin or rat infested, contains filth and contamination, or lacks ventilation, illumination, sanitary or heating facilities or other essential equipment required by this Code, or because the location of the structure constitutes a hazard to the occupants of the structure or to the public.

108.1.4 Unlawful structure. An unlawful structure is one found in whole or in part to be occupied by more persons than permitted under this Code, or was erected, altered or occupied contrary to law.

108.1.5 Dangerous structure or premises. For the purpose of this Code, any structure or premises that has any or all of the conditions or defects described below shall be considered dangerous:

1. Any door, aisle, passageway, stairway, exit or other means of egress that does not conform to the approved building or fire Code of the jurisdiction as related to the requirements for existing buildings.
2. The walking surface of any aisle, passageway, stairway, exit or other means of egress is so warped, worn loose, torn or otherwise unsafe as to not provide safe and adequate means of egress.
3. Any portion of a building, structure or appurtenance that has been damaged by fire, earthquake, wind, flood, deterioration, neglect, abandonment, vandalism or by any other cause to such an extent that it is likely to partially or completely collapse, or to become detached or dislodged.
4. Any portion of a building, or any member, appurtenance or ornamentation on the exterior thereof that is not of sufficient strength or stability, or is not so anchored, attached or fastened in place so as to be capable of resisting natural or artificial loads of one and one-half the original designed value.
5. The building or structure, or part of the building or structure, because of dilapidation, deterioration, decay, faulty construction, the removal or movement of some portion of the ground necessary for the support, or for any other reason, is likely to partially or completely collapse, or some portion of the foundation or underpinning of the building or structure is likely to fail or give way.
6. The building or structure, or any portion thereof, is clearly unsafe for its use and occupancy.
7. The building or structure is neglected, damaged, dilapidated, unsecured or abandoned so as to become an attractive nuisance to children who might play in the building or structure to their danger, becomes a harbor for vagrants, criminals or immoral persons, or enables persons to resort to the building or structure for committing a nuisance or an unlawful act.
8. Any building or structure has been constructed, exists or is maintained in violation of any specific requirement or prohibition applicable to such building or structure provided by the approved building or fire Code of the jurisdiction, or of any law or ordinance to such an extent as to present either a substantial risk of fire, building collapse or any other threat to life and safety.

9. The building or structure which is being operated or lack thereof in a manner which has become an attractive nuisance for crime or enables persons to resort to the building or structure for committing a nuisance or an unlawful act.

10. Any building or structure, because of a lack of sufficient or proper fire-resistance-rated construction, fire protection systems, electrical system, fuel connections, mechanical system, plumbing system or other cause, is determined by the Code official to be a threat to life or health.

11. Any portion of a building remains on a site after the demolition or destruction of the building or structure or whenever any building or structure is abandoned so as to constitute such building or portion thereof as an attractive nuisance or hazard to the public.

108.2 Closing of vacant structures. If the structure is vacant and unfit for human habitation and occupancy, and is not in danger of structural collapse, the Code official is authorized to post a placard of designated on the premises and order the structure closed up so as not to be an attractive nuisance. Upon failure of the owner or owner's authorized agent to close up the premises within the time specified in the notice, the Code official shall cause the premises to be closed and secured through any available public agency or by contract or arrangement by private persons and the cost thereof shall be charged against the real estate upon which the structure is located and shall be a lien upon such real estate and shall be collected by any other legal resource.

108.2.1 Authority to disconnect service utilities. The Code official shall have the authority to authorize disconnection of utility service to the building, structure or system regulated by this Code and the referenced Codes and standards set forth in Section 102.7 in case of emergency or placard structure where necessary to eliminate an immediate hazard to life or property or where such utility connection has been made without approval. The Code official shall notify the serving utility and, whenever possible, the owner or owner's authorized agent and occupant of the building, structure or service system of the decision to disconnect prior to taking such action. If not notified prior to disconnection the owner, owner's authorized agent or occupant of the building structure or service system shall be notified in writing as soon as practical thereafter.

108.3 Notice. Whenever the Code official has designated a structure or equipment under the provisions of this section, notice shall be posted in a conspicuous place in or about the structure affected by such notice and served on the owner, owner's authorized agent or the person or persons responsible for the structure or equipment in accordance with Section 107.3. If the notice pertains to equipment, it shall be placed on the designated equipment. The notice shall be in the form prescribed in Section 107.2.

108.4 Placarding. Upon failure of the owner, owner's authorized agent or person responsible to comply with the notice or order provisions within the time given, the code official shall post on the premises or on defective equipment a placard bearing the word "Notice of Designation" and a statement of the penalties provided for occupying the premises, operating the equipment or removing the placard.

108.4.1 Placard removal. The code official shall remove the placard or void the placard whenever the defect or defects upon which the designation and placarding action were based have been eliminated. Any person who defaces or removes a placard without the approval of the code official shall be subject to the penalties provided by this Code.

108.5 Prohibited occupancy. Any occupied structure placarded by the code official shall be vacated as ordered by the code official. Any person who shall occupy a placarded premises or shall operate placarded equipment, and any owner, owner's authorized agent or person responsible for the premises who shall let anyone occupy a placarded premises or operate placarded equipment shall be liable for the penalties provided by this Code.

108.6 Abatement methods. The owner, owner's authorized agent, operator or occupant of a building, premises or equipment deemed unsafe by the code official shall abate or cause to be abated or corrected such unsafe conditions either by repair, rehabilitation, demolition or other approved corrective action.

108.7 Record. The code official shall cause a report to be filed on an unsafe condition. The report shall state the occupancy of the structure and the nature of the unsafe condition.

SECTION 109. EMERGENCY MEASURES

109.1 Imminent danger. When, in the opinion of the Code official, there is imminent danger of failure or collapse of a building or structure that endangers life, or when any structure or part of a structure has fallen and life is endangered by the occupation of the structure, or when there is actual or potential danger to the building occupants or those in the proximity of any structure because of explosives, explosive fumes or vapors or the presence of toxic fumes, gases or materials, or operation of defective or dangerous equipment, the Code official is hereby authorized and empowered to order and require the occupants to vacate the premises forthwith. The Code official shall cause to be posted at each entrance to such structure a notice reading as follows: "This Structure Is Unsafe and Its Occupancy Has Been Prohibited by the Code Official." It shall be unlawful for any person to enter such structure except for the purpose of securing the structure, making the required repairs, removing the hazardous condition or of demolishing the same.

109.2 Temporary safeguards. Notwithstanding other provisions of this Code, whenever, in the opinion of the Code official, there is imminent danger due to an unsafe condition, the Code official shall order the necessary work to be done, including the boarding up of openings, to render such structure temporarily safe whether or not the legal procedure herein described has been instituted; and shall cause such other action to be taken as the Code official deems necessary to meet such emergency.

109.3 Closing streets. When necessary for public safety, the Code official shall temporarily close structures and close, or order the authority having jurisdiction to close, sidewalks, streets, public ways and places adjacent to unsafe structures, and prohibit the same from being utilized.

109.4 Emergency repairs. For the purposes of this section, the Code official shall employ the necessary labor and materials to perform the required work as expeditiously as possible.

109.5 Costs of emergency repairs. Costs incurred in the performance of emergency work shall be paid by the jurisdiction. The legal counsel of the jurisdiction shall institute appropriate action against the owner of the premises or owner's authorized agent where the unsafe structure is or was located for the recovery of such costs.

109.6 Hearing. Any person ordered to take emergency measures shall comply with such order forthwith. Any affected person shall thereafter, upon petition directed to the appeals board, be afforded a hearing as described in this Code.

SECTION 110 APPEAL

110.1 Right to Appeal. An appeal to the Hearing Officer may be taken by any person aggrieved (hereinafter "Appellant") where it is alleged there is error in any order, requirement, decision or determination made by the enforcement official.

110.2 Notice of Appeal. An appeal from a Section 107 Notice and Orders shall be taken within ten (10) business days from the date of the issuance of the notice provided for in Section 107, by filing with the enforcement official and with the Hearing Officer a Notice of Appeal, specifying the name and mailing address of the Appellant and specifying the grounds thereof. The Hearing Officer may be served with said Notice of Appeal by serving the Municipal Court Clerk. The enforcement official, upon receipt of notice, shall forthwith transmit to the Hearing Officer a summary of the matter and copies of all the papers constituting the record. Upon receipt of the record, the Nuisance Hearing Officer shall set the matter for hearing not less than seven (7) nor more than thirty (30) days from receipt of said record. Notice of the date, time and place of said hearing shall be mailed by first class mail to Appellant at the address shown in the Notice of Appeal.

110.3 Stay of Proceedings. An appeal stays all proceedings in furtherance of the action appealed from.

SECTION 112. STOP WORK ORDER

112.1 Authority. Whenever the Code official finds any work regulated by this Code being performed in a manner contrary to the provisions of this Code or in a dangerous or unsafe manner, the Code official is authorized to issue a stop work order.

112.2 Issuance. A stop work order shall be in writing and shall be given to the owner of the property, to the owner's authorized agent, or to the person doing the work. Upon issuance of a stop work order, the cited work shall immediately cease. The stop work order shall state the reason for the order and the conditions under which the cited work is authorized to resume.

112.3 Emergencies. Where an emergency exists, the Code official shall not be required to give a written notice prior to stopping the work.

SECTION 113 – PENALTIES

113.1 Penalties. It shall be unlawful and a misdemeanor offense for any owner, operator, occupant, firm or other person to violate any of the provisions of this Code, fail to comply with any of the requirements thereof, or to occupy, maintain, erect, construct, alter, or repair any building or structure in violation of this Code. Any person, firm, corporation, or limited liability company convicted of a violation of this Code shall be guilty of a misdemeanor offense and shall be punished by a fine of not more than One Thousand, Two Hundred Dollars No Cents (\$1,200.00), excluding costs, fees, and assessments, or by imprisonment for a period not exceeding one hundred eighty (180) days, or by both such fine and imprisonment. Each day, or portion thereof, during which a violation is committed, continued, or permitted shall be deemed a separate offense.

CHAPTER 2. GENERAL PRINCIPLES AND INTERPRETATION

SECTION 201 DEFINITIONS

GENERAL

201.1 Scope. Unless otherwise expressly stated, the following terms shall, for the purposes of this Code, have the meanings shown in this chapter.

201.2 Interchangeability. Words stated in the present tense include the future; words stated in the masculine gender include the feminine and neuter; the singular number includes the plural and the plural, the singular.

201.3 Terms defined in other Codes. Where terms are not defined in this Code and are defined in the International Building Code, International Existing Building Code, International Fire Code, International Fuel Gas Code, International Mechanical Code, International Plumbing Code, International Residential Code, International Zoning Code or NFPA 70, such terms shall have the meanings ascribed to them as stated in those Codes.

201.4 Terms not defined. Where terms are not defined through the methods authorized by this section, such terms shall have ordinarily accepted meanings such as the context implies.

201.5 Parts. Whenever the words “dwelling unit,” “dwelling,” “premises,” “building,” “rooming house,” “rooming unit,” “housekeeping unit” or “story” are stated in this Code, they shall be construed as though they were followed by the words “or any part thereof.”

ANCHORED. Secured in a manner that provides positive connection.

APPROVED. Acceptable to the Code official.

BASEMENT. That portion of a building which is partly or completely below grade.

BATHROOM. A room containing plumbing fixtures including a bathtub or shower.

BEDROOM. Any room or space used or intended to be used for sleeping purposes in either a dwelling or sleeping unit.

CODE OFFICIAL. The official who is charged with the administration and enforcement of this Code, or any duly authorized representative.

COST OF SUCH DEMOLITION OR EMERGENCY REPAIRS. The costs shall include the actual costs of the demolition or repair of the structure less revenues obtained if salvage was conducted prior to demolition or repair. Costs shall include, but not be limited to, expenses incurred or necessitated related to demolition or emergency repairs, such as asbestos survey and abatement if necessary; costs of inspectors, testing agencies or experts retained relative to the demolition or emergency repairs; costs of testing; surveys for other materials that are controlled or regulated from being dumped in a landfill; title searches; mailing(s); postings; recording; and attorney fees expended for recovering of the cost of emergency repairs or to obtain or enforce an order of demolition made by a Code official, the governing body or board of appeals.

DETACHED. When a structural element is physically disconnected from another and that connection is necessary to provide a positive connection.

DETERIORATION. To weaken, disintegrate, corrode, rust or decay and lose effectiveness.

DWELLING UNIT. A single unit providing complete, independent living facilities for one or more persons, including permanent provisions for living, sleeping, eating, cooking and sanitation.

EASEMENT. That portion of land or property reserved for present or future use by a person or agency other than the legal fee owner(s) of the property. The easement shall be permitted to be for use under, on or above a said lot or lots.

EQUIPMENT SUPPORT. Those structural members or assemblies of members or manufactured elements, including braces, frames, lugs, snuggers, hangers or saddles, that transmit gravity load, lateral load and operating load between the equipment and the structure.

EXTERIOR PROPERTY. The open space on the premises and on adjoining property under the control of owners or operators of such premises.

GARBAGE. The animal or vegetable waste resulting from the handling, preparation, cooking and consumption of food.

GUARD. A building component or a system of building components located at or near the open sides of elevated walking surfaces that minimizes the possibility of a fall from the walking surface to a lower level.

HABITABLE SPACE. Space in a structure for living, sleeping, eating or cooking. Bathrooms, toilet rooms, closets, halls, storage or utility spaces, and similar areas are not considered habitable spaces.

HISTORIC BUILDING. Any building or structure that is one or more of the following:

1. Listed or certified as eligible for listing, by the State Historic Preservation Officer or the Keeper of the National Register of Historic Places, in the National Register of Historic Places.

2. Designated as historic under an applicable state or local law.

3. Certified as a contributing resource within a National

Register or state or locally designated historic district.

HOUSEKEEPING UNIT. A room or group of rooms forming a single habitable space equipped and intended to be used for living, sleeping, cooking and eating which does not contain, within such a unit, a toilet, lavatory and bathtub or shower.

IMMINENT DANGER. A condition which could cause serious or life-threatening injury or death at any time.

INFESTATION. The presence, within or contiguous to, a structure or premises of insects, rats, vermin or other pests.

INOPERABLE MOTOR VEHICLE. A vehicle which cannot be driven upon the public streets for reason including but not limited to being unlicensed, wrecked, abandoned, in a state of disrepair, or incapable of being moved under its own power.

LABELED. Equipment, materials or products to which have been affixed a label, seal, symbol or other identifying mark of a nationally recognized testing laboratory, inspection agency or other organization concerned with product evaluation that maintains periodic inspection of the production of the above-labeled items and whose labeling indicates either that the equipment, material or product meets identified standards or has been tested and found suitable for a specified purpose.

LET FOR OCCUPANCY or LET. To permit, provide or offer possession or occupancy of a dwelling, dwelling unit, rooming unit, building, premise or structure by a person who is or is not the legal owner of record thereof, pursuant to a written or unwritten lease, agreement or license, or pursuant to a recorded or unrecorded agreement of contract for the sale of land.

NEGLECT. The lack of proper maintenance for a building or structure.

OCCUPANCY. The purpose for which a building or portion thereof is utilized or occupied.

OCCUPANT. Any individual living or sleeping in a building, or having possession of a space within a building.

OPENABLE AREA. That part of a window, skylight or door which is available for unobstructed ventilation and which opens directly to the outdoors.

OPERATOR. Any person who has charge, care or control of a structure or premises which is let or offered for occupancy.

OWNER. Any person, agent, operator, firm or corporation having legal or equitable interest in the property; or recorded in the official records of the state, county or municipality as holding title to the property; or otherwise having control of the property, including the guardian of the estate of any such person, and the executor or administrator of the estate of such person if ordered to take possession of real property by a court.

PERSON. An individual, corporation, partnership or any other group acting as a unit.

PEST ELIMINATION. The control and elimination of insects, rodents or other pests by eliminating their harborage places; by removing or making inaccessible materials that serve as their food or water; by other approved pest elimination methods.

PREMISES. A lot, plot or parcel of land, easement or public way, including any structures thereon.

PUBLIC WAY. Any street, alley or similar parcel of land essentially unobstructed from the ground to the sky, which is deeded, dedicated or otherwise permanently appropriated to the public for public use.

ROOMING HOUSE. A building arranged or occupied for lodging, with or without meals, for compensation and not occupied as a one or two-family dwelling.

ROOMING UNIT. Any room or group of rooms forming a single habitable unit occupied or intended to be occupied for sleeping or living, but not for cooking purposes.

RUBBISH. Combustible and noncombustible waste materials, except garbage; the term shall include the residue from the burning of wood, coal, coke and other combustible materials, paper, rags, cartons, boxes, wood, excelsior, rubber, leather, tree branches, yard trimmings, tin cans, metals, mineral matter, glass, crockery and dust and other similar materials.

SLEEPING UNIT. A room or space in which people sleep, which can also include permanent provisions for living, eating and either sanitation or kitchen facilities, but not both. Such rooms and spaces that are also part of a dwelling unit are not sleeping units.

STRICT LIABILITY OFFENSE. An offense in which the prosecution in a legal proceeding is not required to prove criminal intent as a part of its case. It is enough to prove that the defendant either did an act which was prohibited, or failed to do an act which the defendant was legally required to do.

STRUCTURE. That which is built or constructed or a portion thereof.

TENANT. A person, corporation, partnership or group, whether or not the legal owner of record, occupying a building or portion thereof as a unit.

TOILET ROOM. A room containing a water closet or urinal but not a bathtub or shower.

ULTIMATE DEFORMATION. The deformation at which failure occurs and which shall be deemed to occur if the sustainable load reduces to 80 percent or less of the maximum strength.

VENTILATION. The natural or mechanical process of supplying conditioned or unconditioned air to, or removing such air from, any space.

WORKMANLIKE. Executed in a skilled manner; e.g., generally plumb, level, square, in line, undamaged and without marring adjacent work.

YARD. An open space on the same lot with a structure.

CHAPTER 3. STRUCTURE AND PREMISES STANDARDS

SECTION 301 GENERAL REQUIREMENTS

GENERAL

301.1 Scope. The provisions of this chapter shall govern the minimum conditions and the responsibilities of persons for maintenance of structures, equipment and exterior property.

301.2 Responsibility. The owner of the premises shall maintain the structures and exterior property in compliance with these requirements, except as otherwise provided for in this Code. A person shall not occupy as owner-occupant or permit another person to occupy premises that are not in a sanitary and safe condition and that do not comply with the requirements of this chapter. Occupants of a dwelling unit, rooming unit or housekeeping unit are responsible for keeping in a clean, sanitary and safe condition that part of the dwelling unit, rooming unit, housekeeping unit or premises which they occupy and control.

301.3 Vacant structures and land. Vacant structures and premises thereof or vacant land shall be maintained in a clean, safe, secure and sanitary condition as provided herein so as not to cause a blighting problem or adversely affect the public health or safety.

SECTION 302 EXTERIOR PROPERTY AREAS

302.1 Sanitation. Exterior property and premises shall be maintained in a clean, safe and sanitary condition. The occupant shall keep that part of the exterior property that such occupant occupies or controls in a clean and sanitary condition.

302.2 Grading and drainage. All premises shall be graded and maintained to prevent the erosion of soil and to prevent the accumulation of stagnant water thereon, or within any structure located thereon.

Exception: Approved retention areas and reservoirs.

302.3 Sidewalks and driveways. Sidewalks, walkways, stairs, driveways, parking spaces and similar areas shall be kept in a proper state of repair, and maintained free from hazardous conditions.

302.4 Rodent harborage. Structures and exterior property shall be kept free from rodent harborage and infestation. Where rodents are found, they shall be promptly exterminated by approved processes that will not be injurious to human health. After pest elimination, proper precautions shall be taken to eliminate rodent harborage and prevent re-infestation.

302.5 Exhaust vents. Pipes, ducts, conductors, fans or blowers shall not discharge gases, steam, vapor, hot air, grease, smoke, odors or other gaseous or particulate wastes directly upon abutting or adjacent public or private property or that of another tenant.

302.6 Accessory structures. Accessory structures, including detached garages, fences and walls, shall be maintained structurally sound and in good repair.

302.7 Motor vehicles. Except as provided for in other regulations, no inoperative or unlicensed motor vehicle shall be parked, kept or stored on any premises, and no vehicle shall at any time be in a state of major disassembly, disrepair, or in the process of being stripped or dismantled. Painting of vehicles is prohibited unless conducted inside an approved spray booth.

Exception: A vehicle of any type is permitted to undergo major overhaul, including body work, provided that such work is performed inside a structure or similarly enclosed area designed and approved for such purposes.

302.8 Defacement of property. No person shall willfully or wantonly damage, mutilate or deface any exterior surface of any structure or building on any private or public property by placing thereon any marking, carving or graffiti.

It shall be the responsibility of the owner to restore said surface to an approved state of maintenance and repair.

SECTION 303 SWIMMING POOLS, SPAS AND HOT TUBS

303.1 Swimming pools. Swimming pools shall be maintained in a clean and sanitary condition, and in good repair.

303.2 Enclosures. Private swimming pools, hot tubs and spas, containing water more than 24 inches (610 mm) in depth shall be completely surrounded by a fence or barrier not less than 48 inches (1219 mm) in height above the finished ground level measured on the side of the barrier away from the pool. Gates and doors in such barriers shall be self-closing and self-latching. Where the self-latching device is not less than 54 inches (1372 mm) above the bottom of the gate, the release mechanism shall be located on the pool side of the gate. Self-closing and self-latching gates shall be maintained such that the gate will positively close and latch when released from an open position of 6 inches (152 mm) from the gatepost. No existing pool enclosure shall be removed, replaced or changed in a manner that reduces its effectiveness as a safety barrier.

Exception: Spas or hot tubs with a safety cover that complies with ASTM F 1346 shall be exempt from the provisions of this section.

SECTION 304 EXTERIOR STRUCTURE

304.1 General. The exterior of a structure shall be maintained in good repair, structurally sound and sanitary so as not to pose a threat to the public health, safety or welfare.

304.1.1 Unsafe conditions. The following conditions shall be determined as unsafe and shall be repaired or replaced to comply with the International Building Code or the International Existing Building Code as required for existing buildings:

1. The nominal strength of any structural member is exceeded by nominal loads, the load effects or the required strength;
2. The anchorage of the floor or roof to walls or columns, and of walls and columns to foundations is not capable of resisting all nominal loads or load effects;
3. Structures or components thereof that have reached their limit state;

4. Siding and masonry joints including joints between the building envelope and the perimeter of windows, doors and skylights are not maintained, weather resistant or water tight;
5. Structural members that have evidence of deterioration or that are not capable of safely supporting all nominal loads and load effects;
6. Foundation systems that are not firmly supported by footings, are not plumb and free from open cracks and breaks, are not properly anchored or are not capable of supporting all nominal loads and resisting all load effects;
7. Exterior walls that are not anchored to supporting and supported elements or are not plumb and free of holes, cracks or breaks and loose or rotting materials, are not properly anchored or are not capable of supporting all nominal loads and resisting all load effects;
8. Roofing or roofing components that have defects that admit rain, roof surfaces with inadequate drainage, or any portion of the roof framing that is not in good repair with signs of deterioration, fatigue or without proper anchorage and incapable of supporting all nominal loads and resisting all load effects;
9. Flooring and flooring components with defects that affect serviceability or flooring components that show signs of deterioration or fatigue, are not properly anchored or are incapable of supporting all nominal loads and resisting all load effects;
10. Veneer, cornices, belt courses, corbels, trim, wall facings and similar decorative features not properly anchored or that are anchored with connections not capable of supporting all nominal loads and resisting all load effects;
11. Overhang extensions or projections including, but not limited to, trash chutes, canopies, marquees, signs, awnings, fire escapes, standpipes and exhaust ducts not properly anchored or that are anchored with connections not capable of supporting all nominal loads and resisting all load effects;
12. Exterior stairs, decks, porches, balconies and all similar appurtenances attached thereto, including guards and handrails, are not structurally sound, not properly anchored or that are anchored with connections not capable of supporting all nominal loads and resisting all load effects; or
13. Chimneys, cooling towers, smokestacks and similar appurtenances not structurally sound or not properly anchored, or that are anchored with connections not capable of supporting all nominal loads and resisting all load effects.

Exceptions:

1. Where substantiated otherwise by an approved method.
2. Demolition of unsafe conditions shall be permitted where approved by the Code official.

304.2 Protective treatment. Exterior surfaces, including but not limited to, doors, door and window frames, cornices, porches, trim, balconies, decks and fences, shall be maintained in good condition. Exterior wood surfaces, other than decay-resistant woods, shall be protected from the elements and decay by painting or other protective covering or treatment. Peeling, flaking and chipped paint shall be eliminated and surfaces repainted.

Siding and masonry joints, as well as those between the building envelope and the perimeter of windows, doors and skylights, shall be maintained weather resistant and water tight. Metal surfaces subject to rust or corrosion shall be coated to inhibit such rust and corrosion, and surfaces with rust or corrosion shall be stabilized and coated to inhibit future rust and corrosion. Oxidation stains shall be removed from exterior surfaces. Surfaces designed for stabilization by oxidation are exempt from this requirement.

304.3 Premises identification. Buildings shall have approved address numbers placed in a position to be plainly legible and visible from the street or road fronting the property. These numbers shall contrast with their background. Address numbers shall be Arabic numerals or alphabet letters. Numbers shall be not less than 4 inches (102 mm) in height with a minimum stroke width of 0.5 inch (12.7 mm).

304.4 Structural members. Structural members shall be maintained free from deterioration, and shall be capable of safely supporting the imposed dead and live loads.

304.5 Foundation walls. Foundation walls shall be maintained plumb and free from open cracks and breaks and shall be kept in such condition so as to prevent the entry of rodents and other pests.

304.6 Exterior walls. Exterior walls shall be free from holes, breaks, and loose or rotting materials; and maintained weatherproof and properly surface coated where required to prevent deterioration.

304.7 Roofs and drainage. The roof and flashing shall be sound, tight and not have defects that admit rain. Roof drainage shall be adequate to prevent dampness or deterioration in the walls or interior portion of the structure. Roof drains, gutters and downspouts shall be maintained in good repair and free from obstructions. Roof water shall not be discharged in a manner that creates a public nuisance.

304.8 Decorative features. Cornices, belt courses, corbels, terra cotta trim, wall facings and similar decorative features shall be maintained in good repair with proper anchorage and in a safe condition.

304.9 Overhang extensions. Overhang extensions including, but not limited to, canopies, marquees, signs, metal awnings, fire escapes, standpipes and exhaust ducts shall be maintained in good repair and be properly anchored so as to be kept in a sound condition. Where required, all exposed surfaces of metal or wood shall be protected from the elements and against decay or rust by periodic application of weather-coating materials, such as paint or similar surface treatment.

304.10 Stairways, decks, porches and balconies. Every exterior stairway, deck, porch and balcony, and all appurtenances attached thereto, shall be maintained structurally sound, in good repair, with proper anchorage and capable of supporting the imposed loads.

304.11 Chimneys and towers. Chimneys, cooling towers, smoke stacks, and similar appurtenances shall be maintained structurally safe and sound, and in good repair. Exposed surfaces of metal or wood shall be protected from the elements and against decay or rust by periodic application of weather-coating materials, such as paint or similar surface treatment.

304.12 Handrails and guards. Every handrail and guard shall be firmly fastened and capable of supporting normally imposed loads and shall be maintained in good condition.

304.13 Window, skylight and door frames. Every window, skylight, door and frame shall be kept in sound condition, good repair and weather tight.

304.13.1 Glazing. Glazing materials shall be maintained free from cracks and holes.

304.13.2 Openable windows. Every window, other than a fixed window, shall be easily openable and capable of being held in position by window hardware.

304.14 Insect screens. Every door, window and other outside opening required for ventilation of habitable rooms, food preparation areas, food service areas or any areas where products to be included or utilized in food for human consumption are processed, manufactured, packaged or stored shall be supplied with approved tightly fitting screens of minimum 16 mesh per inch (16 mesh per 25 mm), and every screen door used for insect control shall have a self-closing device in good working condition.

Exception: Screens shall not be required where other approved means, such as air curtains or insect repellent fans, are employed.

304.15 Doors. Exterior doors, door assemblies, operator systems if provided, and hardware shall be maintained in good condition. Locks at all entrances to dwelling units and sleeping units shall tightly secure the door. Locks on means of egress doors shall be in accordance with Section 702.3.

304.16 Basement hatchways. Every basement hatchway shall be maintained to prevent the entrance of rodents, rain and surface drainage water.

304.17 Guards for basement windows. Every basement window that is openable shall be supplied with rodent shields, storm windows or other approved protection against the entry of rodents.

304.18 Building security. Doors, windows or hatchways for dwelling units, room units or housekeeping units shall be provided with devices designed to provide security for the occupants and property within.

304.18.1 Doors. Doors providing access to a dwelling unit, rooming unit or housekeeping unit that is rented, leased or let shall be equipped with a deadbolt lock designed to be readily openable from the side from which egress is to be made without the need for keys, special knowledge or effort and shall have a minimum lock throw of 1 inch (25 mm). Such deadbolt locks shall be installed according to the manufacturer's specifications and maintained in good working order. For the purpose of this section, a sliding bolt shall not be considered an acceptable deadbolt lock.

304.18.1 Doors. Doors providing access to a dwelling unit, rooming unit or housekeeping unit that is rented, leased or let shall be equipped with a deadbolt lock meeting specifications set forth herein. Such deadbolt locks shall be operated only by the turning of a knob or a key and shall have a lock throw of not less than 1-inch. For the purpose of this section, a sliding bolt shall not be considered an acceptable deadbolt lock. Such deadbolt locks shall be installed according to manufacturer's specifications and maintained in good working order. All deadbolt locks required by this section shall be designed and installed in such a manner so as to be operable inside of the dwelling unit, rooming unit or housekeeping unit without the use of a key, tool, combination thereof or any other special knowledge or effort. All deadbolt locks must comply with Section 702.3

304.18.2 Windows. Operable windows located in whole or in part within 6 feet (1828 mm) above ground level or a walking surface below that provide access to a dwelling unit, rooming unit or housekeeping unit that is rented, leased or let shall be equipped with a window sash locking device.

304.18.3 Basement hatchways. Basement hatchways that provide access to a dwelling unit, rooming unit or housekeeping unit that is rented, leased or let shall be equipped with devices that secure the units from unauthorized entry.

304.19 Gates. Exterior gates, gate assemblies, operator systems if provided, and hardware shall be maintained in good condition. Latches at all entrances shall tightly secure the gates.

304.20 Lead-Based Paint-Added. Lead-based paint with a lead content of more than one-half percent (0.5%) shall not be applied to any interior or exterior surface of a dwelling, dwelling unit or child care facility, including fences and outbuildings at these locations. Existing interior and exterior painted surfaces of dwelling units and child care facilities that contain an excess of one-half percent (0.5%) lead shall be removed or covered with paneling or other suitable covering approved by the Code official. All paint known to be over one-half percent (0.5%) lead content shall be handled using lead safe work practices by a certified renovation firm in accordance with United States Environmental Protection Agency (EPA) requirements for renovation activities, Title 40 Code of Federal Regulations (CFR) Part 745.

SECTION 305 INTERIOR STRUCTURE

305.1 General. The interior of a structure and equipment therein shall be maintained in good repair, structurally sound and in a sanitary condition. Occupants shall keep that part of the structure that they occupy or control in a clean and sanitary condition. Every owner of a structure containing a rooming house, housekeeping units, a hotel, a dormitory, two or more dwelling units or two or more nonresidential occupancies, shall maintain, in a clean and sanitary condition, the shared or public areas of the structure and exterior property.

305.1.1 Unsafe conditions. The following conditions shall be determined as unsafe and shall be repaired or replaced to comply with all City of Tulsa applicable Codes:

1. The nominal strength of any structural member is exceeded by nominal loads, the load effects or the required strength;
2. The anchorage of the floor or roof to walls or columns, and of walls and columns to foundations is not capable of resisting all nominal loads or load effects;
3. Structures or components thereof that have reached their limit state;
4. Structural members are incapable of supporting nominal loads and load effects;
5. Stairs, landings, balconies and all similar walking surfaces, including guards and handrails, are not structurally sound, not properly anchored or are anchored with connections not capable of supporting all nominal loads and resisting all load effects;
6. Foundation systems that are not firmly supported by footings are not plumb and free from open cracks and breaks, are not properly anchored or are not capable of supporting all nominal loads and resisting all load effects.

Exceptions:

1. Where substantiated otherwise by an approved method.

2. Demolition of unsafe conditions shall be permitted when approved by the Code official.

305.2 Structural members. Structural members shall be maintained structurally sound, and be capable of supporting the imposed loads.

305.3 Interior surfaces. Interior surfaces, including windows and doors, shall be maintained in good, clean and sanitary condition. Peeling, chipping, flaking or abraded paint shall be repaired, removed or covered. Cracked or loose plaster, decayed wood and other defective surface conditions shall be corrected.

305.4 Stairs and walking surfaces. Every stair, ramp, landing, balcony, porch, deck or other walking surface shall be maintained in sound condition and good repair.

305.5 Handrails and guards. Every handrail and guard shall be firmly fastened and capable of supporting normally imposed loads and shall be maintained in good condition.

305.6 Interior doors. Every interior door shall fit reasonably well within its frame and shall be capable of being opened and closed by being properly and securely attached to jambs, headers or tracks as intended by the manufacturer of the attachment hardware.

305.7 Lead-Based Paint-Added. Lead-based paint with a lead content of more than one-half percent (0.5%) shall not be applied to any interior or exterior surface of a dwelling, dwelling unit or child care facility, including fences and outbuildings at these locations. Existing interior and exterior painted surfaces of dwelling units and child care facilities that contain an excess of one-half percent (0.5%) lead shall be removed or covered with paneling or other suitable covering approved by the Code official. All paint known to be over one-half percent (0.5%) lead content shall be handled using lead safe work practices by a certified renovation firm in accordance with United States Environmental Protection Agency (EPA) requirements for renovation activities, Title 40 Code of Federal Regulations (CFR) Part 745.

SECTION 306 COMPONENT SERVICEABILITY

306.1 General. The components of a structure and equipment therein shall be maintained in good repair, structurally sound and in a sanitary condition.

306.1.1 Unsafe conditions. Where any of the following conditions cause the component or system to be beyond its limit state, the component or system shall be determined as unsafe and shall be repaired or replaced to comply with the International Building Code or the International Existing Building Code as required for existing buildings:

1. Soils that have been subjected to any of the following conditions:

1.1. Collapse of footing or foundation system;

1.2. Damage to footing, foundation, concrete or other structural element due to soil expansion;

1.3. Adverse effects to the design strength of footing, foundation, concrete or other structural element due to a chemical reaction from the soil;

1.4. Inadequate soil as determined by a geotechnical investigation;

- 1.5. Where the allowable bearing capacity of the soil is in doubt; or
- 1.6. Adverse effects to the footing, foundation, concrete or other structural element due to the ground water table.
2. Concrete that has been subjected to any of the following conditions:
 - 2.1. Deterioration;
 - 2.2. Ultimate deformation;
 - 2.3. Fractures;
 - 2.4. Fissures;
 - 2.5. Spalling;
 - 2.6. Exposed reinforcement; or
 - 2.7. Detached, dislodged or failing connections.
3. Aluminum that has been subjected to any of the following conditions:
 - 3.1. Deterioration;
 - 3.2. Corrosion;
 - 3.3. Elastic deformation;
 - 3.4. Ultimate deformation;
 - 3.5. Stress or strain cracks;
 - 3.6. Joint fatigue; or
 - 3.7. Detached, dislodged or failing connections.
4. Masonry that has been subjected to any of the following conditions:
 - 4.1. Deterioration;
 - 4.2. Ultimate deformation;
 - 4.3. Fractures in masonry or mortar joints;
 - 4.4. Fissures in masonry or mortar joints;
 - 4.5. Spalling;
 - 4.6. Exposed reinforcement; or
 - 4.7. Detached, dislodged or failing connections.

5. Steel that has been subjected to any of the following conditions:

5.1. Deterioration;

5.2. Elastic deformation;

5.3. Ultimate deformation;

5.4. Metal fatigue; or

5.5. Detached, dislodged or failing connections.

6. Wood that has been subjected to any of the following conditions:

6.1. Ultimate deformation;

6.2. Deterioration;

6.3. Damage from insects, rodents and other vermin;

6.4. Fire damage beyond charring;

6.5. Significant splits and checks;

6.6. Horizontal shear cracks;

6.7. Vertical shear cracks;

6.8. Inadequate support;

6.9. Detached, dislodged or failing connections; or

6.10. Excessive cutting and notching.

Exceptions:

1. Where substantiated otherwise by an approved method.

2. Demolition of unsafe conditions shall be permitted where approved by the Code official.

SECTION 307 HANDRAILS AND GUARDRAILS

307.1 General. Every exterior and interior flight of stairs having more than four risers shall have a handrail on one side of the stair and every open portion of a stair, landing, balcony, porch, deck, ramp or other walking surface that is more than 30 inches (762 mm) above the floor or grade below shall have guards. Handrails shall be not less than 30 inches (762 mm) in height or more than 42 inches (1067 mm) in height measured vertically above the nosing of the tread or above the finished floor of the landing or walking surfaces. Guards shall be not less than 30 inches (762 mm) in height above the floor of the landing, balcony, porch, deck, or ramp or other walking surface.

Exception: Guards shall not be required where exempted by the adopted building Code.

SECTION 308 RUBBISH AND GARBAGE

308.1 Accumulation of rubbish or garbage. Exterior property and premises, and the interior of every structure, shall be free from any accumulation of rubbish or garbage.

308.2 Disposal of rubbish. Every occupant of a structure shall dispose of all rubbish in a clean and sanitary manner by placing such rubbish in approved containers.

308.2.1 Rubbish storage facilities. The owner of every occupied premises shall supply approved covered containers for rubbish, and the owner of the premises shall be responsible for the removal of rubbish.

308.2.2 Refrigerators. Refrigerators and similar equipment not in operation shall not be discarded, abandoned or stored on premises without first removing the doors.

308.3 Disposal of garbage. Every occupant of a structure shall dispose of garbage in a clean and sanitary manner by placing such garbage in an approved garbage disposal facility or approved garbage containers.

308.3.1 Garbage facilities. The owner of every dwelling shall supply one of the following: an approved mechanical food waste grinder in each dwelling unit; an approved incinerator unit in the structure available to the occupants in each dwelling unit; or an approved leak proof, covered, outside garbage container.

308.3.2 Containers. The operator of every establishment producing garbage shall provide, and at all times cause to be utilized, approved leak proof containers provided with close-fitting covers for the storage of such materials until removed from the premises for disposal.

SECTION 309 PEST ELIMINATION

309.1 Infestation. Structures shall be kept free from insect and rodent infestation. Structures in which insects or rodents are found shall be promptly exterminated by approved processes that will not be injurious to human health. After pest elimination, proper precautions shall be taken to prevent re-infestation.

309.2 Owner. The owner of any structure shall be responsible for pest elimination within the structure prior to renting or leasing the structure. Where the infestations are caused by defects in the structure, the owner shall be responsible for pest elimination.

309.3 Single occupant. The occupant of a one-family dwelling or of a single-tenant nonresidential structure shall be responsible for pest elimination on the premises.

309.4 Multiple occupancy. The owner of a structure containing two or more dwelling units, a multiple occupancy, a rooming house or a nonresidential structure shall be responsible for pest elimination in the public or shared areas of the structure and exterior property. If infestation is caused by failure of an occupant to prevent such infestation in the area occupied, the occupant shall be responsible for pest elimination.

309.5 Occupant. The occupant of any structure shall be responsible for the continued rodent and pest-free condition of the structure.

CHAPTER 4. LIGHT, VENTILATION, AND OCCUPANCY LIMITATIONS

SECTION 401 LIGHT, VENTILATION AND OCCUPANCY LIMITATIONS

401.1 Scope. The provisions of this chapter shall govern the minimum conditions and standards for light, ventilation and space for occupying a structure.

401.2 Responsibility. The owner of the structure shall provide and maintain light, ventilation and space conditions in compliance with these requirements. A person shall not occupy as owner-occupant, or permit another person to occupy, any premises that do not comply with the requirements of this chapter.

401.3 Alternative devices. In lieu of the means for natural light and ventilation herein prescribed, artificial light or mechanical ventilation complying with the International Building Code shall be permitted.

SECTION 402 LIGHT

402.1 Habitable spaces. Every habitable space shall have not less than one window of approved size facing directly to the outdoors or to a court. The minimum total glazed area for every habitable space shall be 8 percent of the floor area of such room. Wherever walls or other portions of a structure face a window of any room and such obstructions are located less than 3 feet (914 mm) from the window and extend to a level above that of the ceiling of the room, such window shall not be deemed to face directly to the outdoors nor to a court and shall not be included as contributing to the required minimum total window area for the room.

Exception: Where natural light for rooms or spaces without exterior glazing areas is provided through an adjoining room, the unobstructed opening to the adjoining room shall be not less than 8 percent of the floor area of the interior room or space, but a minimum of 25 square feet (2.33 m²). The exterior glazing area shall be based on the total floor area being served.

402.2 Common halls and stairways. Every common hall and stairway in residential occupancies, other than in one and two-family dwellings, shall be lighted at all times with not less than a 60-watt standard incandescent light bulb for each 200 square feet (19 m²) of floor area or equivalent illumination, provided that the spacing between lights shall not be greater than 30 feet (9144 mm). In other than residential occupancies, means of egress, including exterior means of egress, stairways shall be illuminated at all times the building space served by the means of egress is occupied with not less than 1 foot candle (11 lux) at floors, landings and treads.

402.3 Other spaces. All other spaces shall be provided with natural or artificial light sufficient to permit the maintenance of sanitary conditions, and the safe occupancy of the space and utilization of the appliances, equipment and fixtures.

SECTION 403 VENTILATION

403.1 Habitable spaces. Every habitable space shall have not less than one openable window. The total openable area of the window in every room shall be equal to not less than 45 percent of the minimum glazed area required in Section 402.1.

Exception: Where rooms and spaces without openings to the outdoors are ventilated through an adjoining room, the unobstructed opening to the adjoining room shall be not less than 8 percent of the floor area of the interior

room or space, but not less than 25 square feet (2.33 m²). The ventilation openings to the outdoors shall be based on a total floor area being ventilated.

403.2 Bathrooms and toilet rooms. Every bathroom and toilet room shall comply with the ventilation requirements for habitable spaces as required by Section 403.1, except that a window shall not be required in such spaces equipped with a mechanical ventilation system. Air exhausted by a mechanical ventilation system from a bathroom or toilet room shall discharge to the outdoors and shall not be recirculated.

403.3 Cooking facilities. Unless approved through the certificate of occupancy, cooking shall not be permitted in any rooming unit or dormitory unit, and a cooking facility or appliance shall not be permitted to be present in the rooming unit or dormitory unit.

Exceptions:

1. Where specifically approved in writing by the Code official.
2. Devices such as coffee pots and microwave ovens shall not be considered cooking appliances.

403.4 Process ventilation. Where injurious, toxic, irritating or noxious fumes, gases, dusts or mists are generated, a local exhaust ventilation system shall be provided to remove the contaminating agent at the source. Air shall be exhausted to the exterior and not be recirculated to any space.

403.5 Clothes dryer exhaust. Clothes dryer exhaust systems shall be independent of all other systems and shall be exhausted outside the structure in accordance with the manufacturer's instructions.

Exception: Listed and labeled condensing (ductless) clothes dryers.

SECTION 404 OCCUPANCY LIMITATIONS

404.1 Privacy. Dwelling units, hotel units, housekeeping units, rooming units and dormitory units shall be arranged to provide privacy and be separate from other adjoining spaces.

404.2 Minimum room widths. A habitable room, other than a kitchen, shall be not less than 7 feet (2134 mm) in any plan dimension. Kitchens shall have a minimum clear passageway of 3 feet (914 mm) between counter fronts and appliances or counter fronts and walls.

404.3 Minimum ceiling heights. Habitable spaces, hallways, corridors, laundry areas, bathrooms, toilet rooms and habitable basement areas shall have a minimum clear ceiling height of 7 feet (2134 mm).

Exceptions:

1. In one and two-family dwellings, beams or girders spaced not less than 4 feet (1219 mm) on center and projecting a maximum of 6 inches (152 mm) below the required ceiling height.
2. Basement rooms in one and two-family dwellings occupied exclusively for laundry, study or recreation purposes, having a minimum ceiling height of 6 feet 8 inches (2033 mm) with a minimum clear height of 6 feet 4 inches (1932 mm) under beams, girders, ducts and similar obstructions.

3. Rooms occupied exclusively for sleeping, study or similar purposes and having a sloped ceiling over all or part of the room, with a minimum clear ceiling height of 7 feet (2134 mm) over not less than one third of the required minimum floor area. In calculating the floor area of such rooms, only those portions of the floor area with a minimum clear ceiling height of 5 feet (1524 mm) shall be included.

404.4 Bedroom and living room requirements. Every bedroom and living room shall comply with the requirements of Sections 404.4.1 through 404.4.5.

404.4.1 Room area. Every living room shall contain not less than 120 square feet (11.2 m²) and every bedroom shall contain not less than 70 square feet (6.5 m²) and every bedroom occupied by more than one person shall contain not less than 50 square feet (4.6 m²) of floor area for each occupant thereof.

404.4.2 Access from bedrooms. Bedrooms shall not constitute the only means of access to other bedrooms or habitable spaces and shall not serve as the only means of egress from other habitable spaces.

Exception: Units that contain fewer than two bedrooms.

404.4.3 Water closet accessibility. Every bedroom shall have access to not less than one water closet and one lavatory without passing through another bedroom. Every bedroom in a dwelling unit shall have access to not less than one water closet and lavatory located in the same story as the bedroom or an adjacent story.

404.4.4 Prohibited occupancy. Kitchens and non-habitable spaces shall not be used for sleeping purposes.

404.4.5 Other requirements. Bedrooms shall comply with the applicable provisions of this Code including, but not limited to, the light, ventilation, room area, ceiling height and room width requirements of this chapter; the plumbing facilities and water-heating facilities requirements of Chapter 5; the heating facilities and electrical receptacle requirements of Chapter 6; and the smoke detector and emergency escape requirements of Chapter 7.

404.5 Overcrowding. Dwelling units shall not be occupied by more occupants than permitted by the minimum area requirements of Table 404.5.

TABLE 404.5

Space	Minimum Area in Square Feet		
	1 – 2 occupants	3 – 5 occupants	6 or more occupants
Living Room	No Requirements	120	150
Dining Room	No Requirements	80	100
Bedrooms	Shall comply with Section 404.4.1		

404.5.1 Sleeping area. The minimum occupancy area required by Table 404.5 shall not be included as a sleeping area in determining the minimum occupancy area for sleeping purposes. Sleeping areas shall comply with Section 404.4.

404.5.2 Combined spaces. Combined living room and dining room spaces shall comply with the requirements of Table 404.5 if the total area is equal to that required for separate rooms and if the space is located so as to function as a combination living room/dining room.

404.6 Efficiency unit. Nothing in this section shall prohibit an efficiency living unit from meeting the following requirements:

1. A unit occupied by not more than one occupant shall have a minimum clear floor area of 120 square feet (11.2 m²). A unit occupied by not more than two occupants shall have a minimum clear floor area of 220 square feet (20.4 m²). A unit occupied by three occupants shall have a minimum clear floor area of 320 square feet (29.7 m²). These required areas shall be exclusive of the areas required by Items 2 and 3.

2. The unit shall be provided with a kitchen sink, cooking appliance and refrigeration facilities, each having a minimum clear working space of 30 inches (762 mm) in front. Light and ventilation conforming to this Code shall be provided.

3. The unit shall be provided with a separate bathroom containing a water closet, lavatory and bathtub or shower.

4. The maximum number of occupants shall be three.

404.7 Food preparation. All spaces to be occupied for food preparation purposes shall contain suitable space and equipment to store, prepare and serve foods in a sanitary manner. There shall be adequate facilities and services for the sanitary disposal of food wastes and refuse, including facilities for temporary storage.

CHAPTER 5. PLUMBING AND DRAINAGE SYSTEMS

SECTION 501 PLUMBING FACILITIES AND FIXTURE REQUIREMENTS

501.1 Scope. The provisions of this chapter shall govern the minimum plumbing systems, facilities and plumbing fixtures to be provided.

501.2 Responsibility. The owner of the structure shall provide and maintain such plumbing facilities and plumbing fixtures in compliance with these requirements. A person shall not occupy as owner-occupant or permit another person to occupy any structure or premises that does not comply with the requirements of this chapter.

SECTION 502 REQUIRED FACILITIES

502.1 Dwelling units. Every dwelling unit shall contain its own bathtub or shower, lavatory, water closet and kitchen sink that shall be maintained in a sanitary, safe working condition. The lavatory shall be placed in the same room as the water closet or located in close proximity to the door leading directly into the room in which such water closet is located. A kitchen sink shall not be used as a substitute for the required lavatory.

502.2 Rooming houses. Not less than one water closet, lavatory and bathtub or shower shall be supplied for each four rooming units.

502.3 Hotels. Where private water closets, lavatories and baths are not provided, one water closet, one lavatory and one bathtub or shower having access from a public hallway shall be provided for each 10 occupants.

502.4 Employees' facilities. Not less than one water closet, one lavatory and one drinking facility shall be available to employees.

502.4.1 Drinking facilities. Drinking facilities shall be a drinking fountain, water cooler, bottled water cooler or disposable cups next to a sink or water dispenser. Drinking facilities shall not be located in toilet rooms or bathrooms.

502.5 Public toilet facilities. Public toilet facilities shall be maintained in a safe, sanitary and working condition in accordance with the International Plumbing Code. Except for periodic maintenance or cleaning, public access and use shall be provided to the toilet facilities at all times during occupancy of the premises.

SECTION 503 TOILET ROOMS

503.1 Privacy. Toilet rooms and bathrooms shall provide privacy and shall not constitute the only passageway to a hall or other space, or to the exterior. A door and interior locking device shall be provided for all common or shared bathrooms and toilet rooms in a multiple dwelling.

503.2 Location. Toilet rooms and bathrooms serving hotel units, rooming units or dormitory units or housekeeping units, shall have access by traversing not more than one flight of stairs and shall have access from a common hall or passageway.

503.3 Location of employee toilet facilities. Toilet facilities shall have access from within the employees' working area. The required toilet facilities shall be located not more than one story above or below the

employees' working area and the path of travel to such facilities shall not exceed a distance of 500 feet (152 m). Employee facilities shall either be separate facilities or combined employee and public facilities.

Exception: Facilities that are required for employees in storage structures or kiosks, which are located in adjacent structures under the same ownership, lease or control, shall not exceed a travel distance of 500 feet (152 m) from the employees' regular working area to the facilities.

503.4 Floor surface. In other than dwelling units, every toilet room floor shall be maintained to be a smooth, hard, nonabsorbent surface to permit such floor to be easily kept in a clean and sanitary condition.

SECTION 504 PLUMBING SYSTEMS AND FIXTURES

504.1 General. Plumbing fixtures shall be properly installed and maintained in working order, and shall be kept free from obstructions, leaks and defects and be capable of performing the function for which such plumbing fixtures are designed. Plumbing fixtures shall be maintained in a safe, sanitary and functional condition.

504.2 Fixture clearances. Plumbing fixtures shall have adequate clearances for usage and cleaning.

504.3 Plumbing system hazards. Where it is found that a plumbing system in a structure constitutes a hazard to the occupants or the structure by reason of inadequate service, inadequate venting, cross connection, back-siphonage, improper installation, deterioration or damage or for similar reasons, the Code official shall require the defects to be corrected to eliminate the hazard.

SECTION 505 WATER SYSTEM

505.1 General. Every sink, lavatory, bathtub or shower, drinking fountain, water closet or other plumbing fixture shall be properly connected to either a public water system or to an approved private water system. Kitchen sinks, lavatories, laundry facilities, bathtubs and showers shall be supplied with hot or tempered and cold running water in accordance with the International Plumbing Code.

505.2 Contamination. The water supply shall be maintained free from contamination, and all water inlets for plumbing fixtures shall be located above the flood-level rim of the fixture. Shampoo basin faucets, janitor sink faucets and other hose bibs or faucets to which hoses are attached and left in place, shall be protected by an approved atmospheric-type vacuum breaker or an approved permanently attached hose connection vacuum breaker.

505.3 Supply. The water supply system shall be installed and maintained to provide a supply of water to plumbing fixtures, devices and appurtenances in sufficient volume and at pressures adequate to enable the fixtures to function properly, safely, and free from defects and leaks.

505.4 Water heating facilities. Water heating facilities shall be properly installed, maintained and capable of providing an adequate amount of water to be drawn at every required sink, lavatory, bathtub, shower and laundry facility at a minimum temperature of 110°F (43°C). A gas-burning water heater shall not be located in any bathroom, toilet room, bedroom or other occupied room normally kept closed, unless adequate combustion air is provided. An approved combination temperature and pressure-relief valve and relief valve discharge pipe shall be properly installed and maintained on water heaters.

SECTION 506 SANITARY DRAINAGE SYSTEM

506.1 General. Plumbing fixtures shall be properly connected to either a public sewer system or to an approved private sewage disposal system.

506.2 Maintenance. Every plumbing stack, vent, waste and sewer line shall function properly and be kept free from obstructions, leaks and defects.

506.3 Grease interceptors. Grease interceptors and automatic grease removal devices shall be maintained in accordance with this Code and the manufacturer's installation instructions. Grease interceptors and automatic grease removal devices shall be regularly serviced and cleaned to prevent the discharge of oil, grease, and other substances harmful or hazardous to the building drainage system, the public sewer, the private sewage disposal system or the sewage treatment plant or processes. Records of maintenance, cleaning and repairs shall be available for inspection by the Code official.

SECTION 507 STORM DRAINAGE

507.1 General. Drainage of roofs and paved areas, yards and courts, and other open areas on the premises shall not be discharged in a manner that creates a public nuisance.

CHAPTER 6. MECHANICAL, HEATING AND ELECTRICAL SYSTEMS

SECTION 601 MECHANICAL AND ELECTRICAL REQUIREMENTS

601.1 Scope. The provisions of this chapter shall govern the minimum mechanical and electrical facilities and equipment to be provided.

601.2 Responsibility. The owner of the structure shall provide and maintain mechanical and electrical facilities and equipment in compliance with these requirements. A person shall not occupy as owner-occupant or permit another person to occupy any premises that does not comply with the requirements of this chapter.

SECTION 602 HEATING FACILITIES

602.1 Facilities required. Heating facilities shall be provided in structures as required by this section.

602.2 Residential occupancies. Dwellings shall be provided with heating facilities capable of maintaining a room temperature of 65°F in all habitable rooms, bathrooms and toilet rooms based on the winter outdoor design temperature for the locality indicated in Appendix D of the International Plumbing Code. Cooking appliances shall not be used, nor shall portable unvented fuel-burning space heaters be used, as a means to provide required heating.

602.3 Heat supply. Every owner and operator of any building who rents, leases or lets one (1) or more dwelling unit, rooming unit, dormitory or guestroom on terms, either expressed or implied, to furnish heat to the occupants thereof shall supply heat to maintain a temperature of not less than 65°F in all habitable rooms, bathrooms, and toilet rooms.

602.4 Occupiable work spaces. Indoor occupiable work spaces shall be supplied with heat to maintain a minimum temperature of 65°F during the period the spaces are occupied.

Exceptions:

1. Processing, storage and operation areas that require cooling or special temperature conditions.
2. Areas in which persons are primarily engaged in vigorous physical activities.

602.5 Room temperature measurement. The required room temperatures shall be measured 3 feet (914 mm) above the floor near the center of the room and 2 feet (610 mm) inward from the center of each exterior wall.

SECTION 603 MECHANICAL EQUIPMENT

603.1 Mechanical appliances. Mechanical appliances, fireplaces, solid fuel-burning appliances, cooking appliances and water heating appliances shall be properly installed and maintained in a safe working condition, and shall be capable of performing the intended function.

603.2 Removal of combustion products. Fuel-burning equipment and appliances shall be connected to an approved chimney or vent.

Exception: Fuel-burning equipment and appliances that are labeled for unvented operation.

603.3 Clearances. Required clearances to combustible materials shall be maintained.

603.4 Safety controls. Safety controls for fuel-burning equipment shall be maintained in effective operation.

603.5 Combustion air. A supply of air for complete combustion of the fuel and for ventilation of the space containing the fuel-burning equipment shall be provided for the fuel-burning equipment.

603.6 Energy conservation devices. Devices intended to reduce fuel consumption by attachment to a fuel-burning appliance, to the fuel supply line thereto, or to the vent outlet or vent piping therefrom, shall not be installed unless labeled for such purpose and the installation is specifically approved.

SECTION 604 ELECTRICAL FACILITIES

604.1 Facilities required. Every occupied building shall be provided with an electrical system in compliance with the requirements of this section and Section 605.

604.2 Service. The size and usage of appliances and equipment shall serve as a basis for determining the need for additional facilities in accordance with NFPA 70. Dwelling units shall be served by a three-wire, 120/240 volt, single-phase electrical service having a minimum rating of 60 amperes.

604.3 Electrical system hazards. Where it is found that the electrical system in a structure constitutes a hazard to the occupants or the structure by reason of inadequate service, improper fusing, insufficient receptacle and lighting outlets, improper wiring or installation, deterioration or damage, or for similar reasons, the Code official shall require the defects to be corrected to eliminate the hazard.

604.3.1 Abatement of electrical hazards associated with water exposure. The provisions of this section shall govern the repair and replacement of electrical systems and equipment that have been exposed to water.

604.3.1.1 Electrical equipment. Electrical distribution equipment, motor circuits, power equipment, transformers, wire, cable, flexible cords, wiring devices, ground fault circuit interrupters, surge protectors, molded case circuit breakers, low-voltage fuses, luminaires, ballasts, motors and electronic control, signaling and communication equipment that have been exposed to water shall be replaced in accordance with the provisions of all applicable City of Tulsa Codes.

Exception: The following equipment shall be allowed to be repaired where an inspection report from the equipment manufacturer or approved manufacturer's representative indicates that the equipment has not sustained damage that requires replacement:

1. Enclosed switches, rated a maximum of 600 volts or less;
2. Busway, rated a maximum of 600 volts;
3. Panelboards, rated a maximum of 600 volts;
4. Switchboards, rated a maximum of 600 volts;
5. Fire pump controllers, rated a maximum of 600 volts;
6. Manual and magnetic motor controllers;

7. Motor control centers;
8. Alternating current high-voltage circuit breakers;
9. Low-voltage power circuit breakers;
10. Protective relays, meters and current transformers;
11. Low and medium-voltage switchgear;
12. Liquid-filled transformers;
13. Cast-resin transformers;
14. Wire or cable that is suitable for wet locations and whose ends have not been exposed to water;
15. Wire or cable, not containing fillers, that is suitable for wet locations and whose ends have not been exposed to water;
16. Luminaires that are listed as submersible;
17. Motors;
18. Electronic control, signaling and communication equipment.

604.3.2 Abatement of electrical hazards associated with fire exposure. The provisions of this section shall govern the repair and replacement of electrical systems and equipment that have been exposed to fire.

604.3.2.1 Electrical equipment. Electrical switches, receptacles and fixtures, including furnace, water heating, security system and power distribution circuits, that have been exposed to fire, shall be replaced in accordance with the provisions of all applicable City of Tulsa Codes.

Exception: Electrical switches, receptacles and fixtures that shall be allowed to be repaired where an inspection report from the equipment manufacturer or approved manufacturer's representative indicates that the equipment has not sustained damage that requires replacement.

SECTION 605 ELECTRICAL EQUIPMENT

605.1 Installation. Electrical equipment, wiring and appliances shall be properly installed and maintained in a safe and approved manner.

605.2 Receptacles. Every habitable space in a dwelling shall contain not less than two separate and remote receptacle outlets. Every laundry area shall contain not less than one grounding-type receptacle or a receptacle with a ground fault circuit interrupter. Every bathroom shall contain not less than one receptacle. Any new bathroom receptacle outlet shall have ground fault circuit interrupter protection. All receptacle outlets shall have the appropriate faceplate cover for the location.

605.3 Luminaires. Every public hall, interior stairway, toilet room, kitchen, bathroom, laundry room, boiler room and furnace room shall contain not less than one electric luminaire. Pool and spa luminaires over 15 V shall have ground fault circuit interrupter protection.

605.4 Wiring. Flexible cords shall not be used for permanent wiring, or for running through doors, windows, or cabinets, or concealed within walls, floors, or ceilings.

SECTION 606 ELEVATORS, ESCALATORS AND DUMBWAITERS

606.1 General. Elevators, dumbwaiters and escalators shall be maintained in compliance with ASME A17.1. The most current certificate of inspection shall be on display at all times within the elevator or attached to the escalator or dumbwaiter, be available for public inspection in the office of the building operator or be posted in a publicly conspicuous location approved by the Code official. The inspection and tests shall be performed at not less than the periodic intervals listed in ASME A17.1, Appendix N, except where otherwise specified by the authority having jurisdiction.

606.2 Elevators. In buildings equipped with passenger elevators, not less than one elevator shall be maintained in operation at all times when the building is occupied.

Exception: Buildings equipped with only one elevator shall be permitted to have the elevator temporarily out of service for testing or servicing.

SECTION 607 DUCT SYSTEMS

607.1 General. Duct systems shall be maintained free of obstructions and shall be capable of performing the required function.

CHAPTER 7. FIRE SAFETY

SECTION 701 FIRE SAFETY REQUIREMENTS

701.1 Scope. The provisions of this chapter shall govern the minimum conditions and standards for fire safety relating to structures and exterior premises, including fire safety facilities and equipment to be provided.

701.2 Responsibility. The owner of the premises shall provide and maintain such fire safety facilities and equipment in compliance with these requirements. A person shall not occupy as owner-occupant or permit another person to occupy any premises that do not comply with the requirements of this chapter.

SECTION 702 MEANS OF EGRESS

702.1 General. A safe, continuous and unobstructed path of travel shall be provided from any point in a building or structure to the public way. Means of egress shall comply with the Tulsa Fire Code TRO 14 The Fire Prevention Code of the City of Tulsa.

702.2 Aisles. The required width of aisles in accordance with the International Fire Code shall be unobstructed.

702.3 Locked doors. Means of egress doors shall be readily openable from the side from which egress is to be made without the need for keys, special knowledge or effort, except where the door hardware conforms to that permitted by the International Building Code.

702.4 Emergency escape openings. Required emergency escape openings shall be maintained in accordance with the Code in effect at the time of construction, and the following. Required emergency escape and rescue openings shall be operational from the inside of the room without the use of keys or tools. Bars, grilles, grates or similar devices are permitted to be placed over emergency escape and rescue openings provided the minimum net clear opening size complies with the Code that was in effect at the time of construction and such devices shall be releasable or removable from the inside without the use of a key, tool or force greater than that which is required for normal operation of the escape and rescue opening.

SECTION 703 FIRE-RESISTANCE RATINGS

703.1 Fire-resistance-rated assemblies. The required fire-resistance rating of fire-resistance-rated walls, fire stops, shaft enclosures, partitions and floors shall be maintained.

703.2 Opening protectives. Required opening protectives shall be maintained in an operative condition. Fire and smokestop doors shall be maintained in operable condition. Fire doors and smoke barrier doors shall not be blocked or obstructed or otherwise made inoperable.

SECTION 704 FIRE PROTECTION SYSTEMS

704.1 General. Systems, devices and equipment to detect a fire, actuate an alarm, or suppress or control a fire or any combination thereof shall be maintained in an operable condition at all times in accordance with the International Fire Code.

704.1.1 Automatic sprinkler systems. Inspection, testing and maintenance of automatic sprinkler systems shall be in accordance with NFPA 25.

704.1.2 Fire department connection. Where the fire department connection is not visible to approaching fire apparatus, the fire department connection shall be indicated by an approved sign mounted on the street front or on the side of the building. Such sign shall have the letters "FDC" not less than 6 inches (152 mm) high and words in letters not less than 2 inches (51 mm) high or an arrow to indicate the location. Such signs shall be subject to the approval of the fire Code official.

704.2 Single and multiple-station smoke alarms. Single and multiple-station smoke alarms shall be installed in existing Group I-1 and R occupancies in accordance with Sections 704.2.1 through 704.2.3.

704.2.1 Where required. Existing Group I-1 and R occupancies shall be provided with single-station smoke alarms in accordance with Sections 704.2.1.1 through 704.2.1.4. Interconnection and power sources shall be in accordance with Sections 704.2.2 and 704.2.3.

Exceptions:

1. Where the Code that was in effect at the time of construction required smoke alarms and smoke alarms complying with those requirements are already provided.
2. Where smoke alarms have been installed in occupancies and dwellings that were not required to have them at the time of construction, additional smoke alarms shall not be required provided that the existing smoke alarms comply with requirements that were in effect at the time of installation.
3. Where smoke detectors connected to a fire alarm system have been installed as a substitute for smoke alarms.

704.2.1.1 Group R-1. Single or multiple-station smoke alarms shall be installed in all of the following locations in Group R-1:

1. In sleeping areas.
2. In every room in the path of the means of egress from the sleeping area to the door leading from the sleeping unit.
3. In each story within the sleeping unit, including basements. For sleeping units with split levels and without an intervening door between the adjacent levels, a smoke alarm installed on the upper level shall suffice for the adjacent lower level provided that the lower level is less than one full story below the upper level.

704.2.1.2 Groups R-2, R-3, R-4 and I-1. Single or multiple-station smoke alarms shall be installed and maintained in Groups R-2, R-3, R-4 and I-1 regardless of occupant load at all of the following locations:

1. On the ceiling or wall outside of each separate sleeping area in the immediate vicinity of bedrooms.
2. In each room used for sleeping purposes.
3. In each story within a dwelling unit, including basements but not including crawl spaces and uninhabitable attics. In dwellings or dwelling units with split levels and without an intervening door between the adjacent levels, a smoke alarm installed on the upper level shall suffice for the adjacent lower level provided that the lower level is less than one full story below the upper level.

704.2.1.3 Installation near cooking appliances. Smoke alarms shall not be installed in the following locations unless this would prevent placement of a smoke alarm in a location required by Section 704.2.1.1 or 704.2.1.2.

1. Ionization smoke alarms shall not be installed less than 20 feet (6096 mm) horizontally from a permanently installed cooking appliance.
2. Ionization smoke alarms with an alarm-silencing switch shall not be installed less than 10 feet (3048 mm) horizontally from a permanently installed cooking appliance.
3. Photoelectric smoke alarms shall not be installed less than 6 feet (1829 mm) horizontally from a permanently installed cooking appliance.

704.2.1.4 Installation near bathrooms. Smoke alarms shall be installed not less than 3 feet (914 mm) horizontally from the door or opening of a bathroom that contains a bathtub or shower unless this would prevent placement of a smoke alarm required by Section 704.2.1.1 or 704.2.1.2.

704.2.2 Interconnection. Where more than one smoke alarm is required to be installed within an individual dwelling or sleeping unit, the smoke alarms shall be interconnected in such a manner that the activation of one alarm will activate all of the alarms in the individual unit. Physical interconnection of smoke alarms shall not be required where listed wireless alarms are installed and all alarms sound upon activation of one alarm. The alarm shall be clearly audible in all bedrooms over background noise levels with all intervening doors closed.

Exceptions:

1. Interconnection is not required in buildings that are not undergoing alterations, repairs or construction of any kind.
2. Smoke alarms in existing areas are not required to be interconnected where alterations or repairs do not result in the removal of interior wall or ceiling finishes exposing the structure, unless there is an attic, crawl space or basement available that could provide access for interconnection without the removal of interior finishes.

704.2.3 Power source. Single-station smoke alarms shall receive their primary power from the building wiring provided that such wiring is served from a commercial source and shall be equipped with a battery backup. Smoke alarms with integral strobes that are not equipped with battery backup shall be connected to an emergency electrical system. Smoke alarms shall emit a signal when the batteries are low. Wiring shall be permanent and without a disconnecting switch other than as required for overcurrent protection.

Exceptions:

1. Smoke alarms are permitted to be solely battery operated in existing buildings where no construction is taking place.
2. Smoke alarms are permitted to be solely battery operated in buildings that are not served from a commercial power source.
3. Smoke alarms are permitted to be solely battery operated in existing areas of buildings undergoing alterations or repairs that do not result in the removal of interior walls or ceiling finishes exposing the structure, unless

there is an attic, crawl space or basement available that could provide access for building wiring without the removal of interior finishes.

704.2.4 Smoke detection system. Smoke detectors listed in accordance with UL 268 and provided as part of the building's fire alarm system shall be an acceptable alternative to single and multiple-station smoke alarms and shall comply with the following:

1. The fire alarm system shall comply with all applicable requirements in Section 907 of the International Fire Code.
2. Activation of a smoke detector in a dwelling or sleeping unit shall initiate alarm notification in the dwelling or sleeping unit in accordance with Section 907.5.2 of the International Fire Code.
3. Activation of a smoke detector in a dwelling or sleeping unit shall not activate alarm notification appliances outside of the dwelling or sleeping unit, provided that a supervisory signal is generated and monitored in accordance with Section 907.6.5 of the International Fire Code.

CHAPTER 8 CHRONIC NUISANCE PROPERTY

801 Chronic Nuisance Property Designation. A Chronic Nuisance Property is a dwelling or structure within which, or on the premises of which, any of the following has occurred:

1. Three (3) or more separate violations of criminal statutes of the State of Oklahoma and/or the criminal ordinances of the City of Tulsa in the dwelling or on the premises of a dwelling, or on property within one hundred (100) feet of a dwelling or the premises of a dwelling, within a twenty-four (24) month period; and/or
2. Three or more violations of the City Code relating to property maintenance, nuisance, or zoning arising out of separate and distinct facts and circumstances within a twenty-four (24) month period;
3. Separate violations of the City of Tulsa Fire Prevention Code (Title 14 Tulsa Revised Ordinances) relating to Nuisance Fire Alarms, Section 109.3.2.2, more than five (5) times in any thirty (30) day period, or more than thirty-six (36) times in any twelve (12) month period ; or
4. A combination of three offenses from any of the above categories arising out of separate and distinct facts and circumstances which have been investigated, found to have substance, and appropriately documented by the Code Enforcement Officer or members of the Tulsa Police Department or Tulsa Fire Department, and regardless of whether the violation resulted in the initiation of formal court action.

802 Action. Such violations need not result in court action or conviction, but must be appropriately documented by a member of the City of Tulsa Working In Neighborhoods (WIN) Code Enforcement staff, Tulsa Police Department (TPD), or Tulsa Fire Department (TFD).

803 Review.

1. Tulsa Police Department and Tulsa Fire Department will refer cases to WIN to confirm the validity of alleged violations of Chapter 8, Sections 801. These departments shall meet as needed and review locations with violations meeting Section 801.
2. If a property is reviewed and considered a Chronic Nuisance Property by the internal departments reviewing the case, WIN will post a Notice of Violation per Section 107 and set the property for an Administrative Hearing using the procedures found in Title 24 TRO, "Nuisances". The notice will inform the owner of the hearing date and list the necessary steps to abate the violations to include but not limited to:
 - a. Abate the violations or;
 - b. Contact WIN to schedule a conference with City staff to present a plan of action before the hearing date listed;
 - c. Secure, mow, and clean entire property within ten (10) days of the order
3. If the property is declared a Chronic Nuisance Property by the Administrative Hearing officer, WIN will post the signed order on the property and mail a copy to the owner of record.

804 Order.

2. WIN will post the Order to Abate on the property designated a Chronic Nuisance Property. The order will inform the owner of the necessary steps to be taken, including, but not limited to:
 - a. Abate the violations or;
 - b. Contact WIN to schedule a conference with City staff to present a plan of action within thirty (30) calendar days;
 - c. Secure, mow, and clean entire property within ten (10) days of the order
3. If the owner does not comply with the order, WIN will execute the procedures contained in Section 806 of this Chapter to post a placard on the property.

805 Conference.

1. The owner will be responsible for contacting WIN to schedule a conference for the purpose of presenting a plan to abate all violations. If City staff accepts the plan, they will remove the placard from the property.
2. The scheduled conference will be attended by the owner or his/her representative, City staff from TPD, TFD, WIN and Legal Department, one (1) councilor for the City Council district in which the property is located, and any other appropriate department or outside agency that is needed.
3. The owner or his/her representative will present a plan to City staff for review, comments, and suggestions. The plan will eliminate all current code violations and prevent future violations.
4. Once the plan is agreed upon, the owner will implement the plan and the placard will be removed.
5. WIN will monitor the plan and, if at any point the plan is not being maintained, will refer the property back to the internal committee.
6. If the owner fails to remove the Chronic Nuisance Property violations within the time period prescribed by the plan, the property may be re-placarded and the City of Tulsa may execute additional abatement procedures as outlined in TRO 24.

806 Placard.

1. If the owner does not comply with the order as contained in Section 804, above, WIN will proceed with the placard process pursuant to Section 108.4.
2. Occupancy or operation of the Chronic Nuisance Property after the posting of the placard is forbidden. Violators may be cited or arrested and prosecuted pursuant to Section 108 of this Code.

807 Violation.

1. No owner or occupant of any dwelling shall cause or allow such dwelling or premises to be, or become, a Chronic Nuisance Property.
2. An owner and/or occupant, as the case may be, shall be deemed to have caused or allowed a dwelling to be, or become, a Chronic Nuisance Property if:
 - A. The owner or occupant has personally committed the acts set forth in Chapter 8, 801.1;
 - B. Such acts were committed by invitees of the occupant or owner;
 - C. Such acts were committed by persons attending events or functions sponsored, permitted or allowed by the occupant or owner;
 - D. Such acts were committed by a combination of 801.2.2. A, B or C; or
 - E. The owner or occupant has been provided with the written notice of a Chronic Nuisance Property designation pursuant to Section 107, the facts alleged therein are true and the owner or occupant fails or refuses to abate the Chronic Nuisance Property designation.

CHAPTER 9. BOARDING OF BUILDINGS

SECTION 901 BOARDING STANDARD

901.1 Scope. The provisions of this chapter shall govern the minimum conditions and the responsibilities of persons for boarding and securing a structure by closing, boarding, or locking of any or all exterior opening so as to prevent entry into the building by use of normal or irregular means.

901.2 Responsibility. The owner of the premises shall maintain the structures and exterior property in compliance with these requirements. A person shall not occupy as owner-occupant or permit another person to occupy premises that are in whole or partially boarded up by irregular means as defined in this chapter.

SECTION 902 GENERAL

902.1 General. Windows and doors shall be boarded in an approved manner to prevent entry by unauthorized persons and shall be painted to correspond to the color of the existing structure.

902.2 Normal Means. Securing a structure by normal means will include locking exterior doors, windows and opening by use of the locking mechanism designed for normal use. Securing an exterior door or window by the use of mechanical securing such as screw or nails is not considered normal means. Secured by "Other Than Normal Means" shall mean a condition when a building or residential structure is secured by means other than those used by normal means.

902.3 Other Than Normal Means. Securing a structure by other than normal means will include but not limited to securing exterior doors, windows and opening the use of mechanical securing such as boards to cover the opening and fastening boards with screws or nails, which voids the use of the door or window for its original design and use.

SECTION 903 MATERIALS

903.1 Boarding sheet material. Boarding sheet material shall be minimum 1/2 inch thick (1.27 cm) exterior grade plywood. Any other materials must be approved by the Code official prior to installation.

903.2 Boarding framing material. Boarding framing material shall be minimum nominal 2-inch by 4-inch (51 mm by 102 mm) solid sawn lumber complying with the International Building Code.

903.3 The materials will be designed and of such color so as to blend in with the finish of the building

903.4 Boarding fasteners.

1. Non-window and door opening. Boarding fasteners will be a minimum of 3 inch (7.62 cm) wood screws and counter sunk.
2. Windows. Boarding fasteners will be a minimum of 3/8 inch (.9525 cm) by 12 inch (30.48 cm) rounded head carriage bolts, 1/2 inch (1.27 cm) flat washers and 3/8 inch (.9525 cm) construction grade nut.
3. Doors. Boarding fasteners will be a minimum of 3/8 inch (.9525 cm) by 12 inch (30.48 cm) rounded head carriage bolts, 1/2 inch (1.27 cm) flat washers and 3/8 inch (.9525 cm) construction grade nut.

SECTION 904 INSTALLATION

904.1 Installation for openings not used for normal access

1. Boarding installation. The boarding installation shall be in accordance with Figures A103.1(1) and A103.1(2) and Sections 904.1 (1) through 904.1 (5).
2. Boarding sheet material. The boarding sheet material shall be cut to fit the door or window opening neatly or shall be cut to provide an equal overlap at the perimeter of the door or window.
3. Windows. The window shall be opened to allow the carriage bolt to pass through or the window sash shall be removed and stored. The 2-inch by 4-inch (51 mm by 102 mm) strong back framing material shall be cut minimum 2 inches (51 mm) wider than the window opening and shall be placed on the inside of the window opening 6 inches (152 mm) minimum above the bottom and below the top of the window opening. The framing and boarding shall be predrilled. The assembly shall be aligned and the bolts, washers and nuts shall be installed and secured.
4. Door walls. The door opening shall be framed with minimum 2-inch by 4-inch (51 mm by 102 mm) framing material secured at the entire perimeter and vertical members at a maximum of 24 inches (610 mm) on center. Blocking shall also be secured at a maximum of 48 inches (1219 mm) on center vertically. Boarding sheet material shall be secured with screws and nails alternating every 6 inches (152 mm) on center.
5. Doors. Doors shall be secured by the same method as for windows or door openings. One door to the structure shall be available for authorized entry and shall be secured and locked in an approved manner.

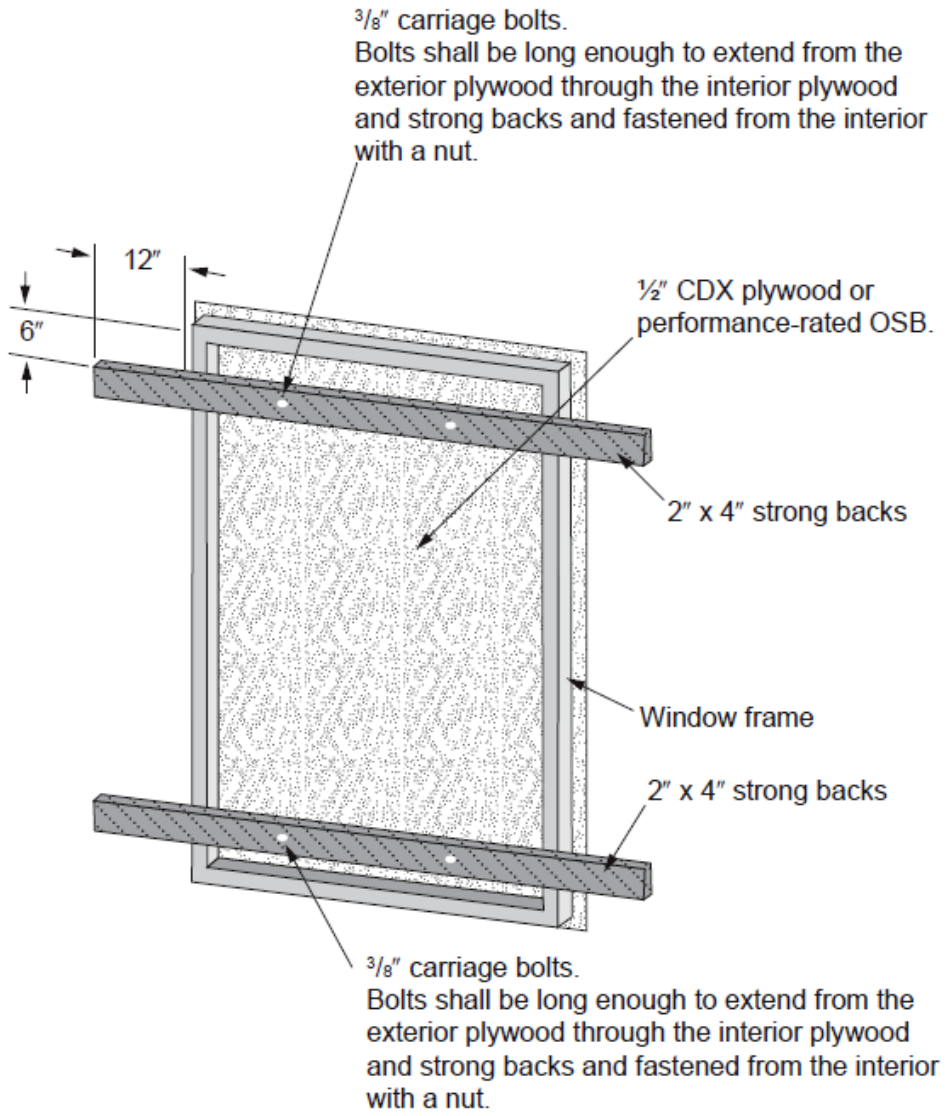
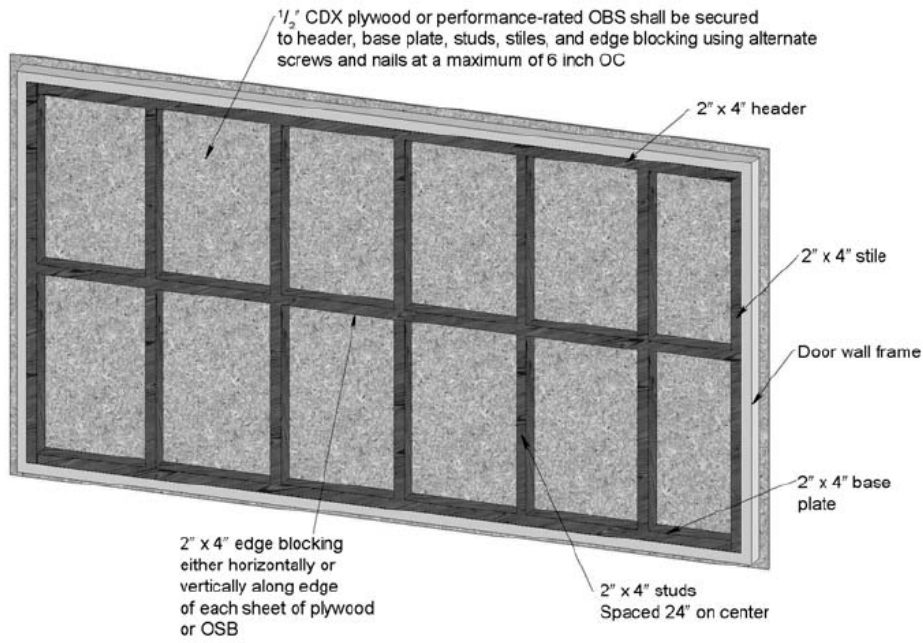


FIGURE A103.1(1)
BOARDING OF DOOR OR WINDOW

**FIGURE A103.1(1)
BOARDING OF DOOR OR WINDOW**



**FIGURE A103.1(2)
BOARDING OF DOOR WALL**

CHAPTER 10. VACANT PROPERTIES

SECTION 1001 NEGLECTED VACANT PROPERTIES

1001.1 Scope. The provisions of this chapter shall govern the definitions and enforcement for vacant properties and minimum conditions by which these properties and structures must be maintained.

1001.2 Responsibility. The owner, owner's authorized agent, or operator of the premises shall maintain the structures and exterior property in compliance with these requirements, except as otherwise provided for in this Code. A person shall not occupy as owner-occupant or permit another person to occupy premises that are not in a sanitary and safe condition and that do not comply with the requirements of this chapter.

SECTION 1002 GENERAL

1002.1 Unoccupied Vacant Properties. Unoccupied means that condition when a building or residential structure or a portion thereof lacks the habitual presence of human beings who have a legal right to be on the premises, including buildings by which are maintained in a manner that results in no Code violation or structures ordered vacated by an Enforcement Officer, Tulsa Fire Department, Tulsa Police Department, or Tulsa Health Department. In determining whether a building or residential structure is unoccupied, the Enforcement Officer may consider these factors, among others:

1. Whether lawful residential or business activity has ceased;
2. The percentage of the overall square footage of the occupied to unoccupied space or the overall number of occupied and unoccupied units and their proximity to each other;
3. The building or residential structure is substantially devoid of contents or the fixtures or personal property located in the building or residential structure are of a minimal value;
4. The building or residential structure lacks utility services;
5. The building or residential structure is the subject of a foreclosure action;
6. Duration of vacancy; and/or
7. The presence or reoccurrence of Code violations.

1002.2 Maintenance. The owner, owner's authorized agent, or operator of the premises shall maintain the property in a manner that the property is immediately suitable for occupation. The basic personal property, utility infrastructure and mechanical equipment is intact and in place. If the property is under renovation the complete renovation is under construction for less than one year. The property's structures remain secured by normal means as listed in Section 901.

SECTION 1003 NEGLECTED VACANT PROPERTIES

1003.1 Neglected Vacant Properties means a building, regardless of the use, the square footage or the presence of more than one living unit, a portion of a building, residential structure, or premises which is any one or more of the following:

1. Unoccupied and unsecured;
2. Unoccupied and secured by other than normal means in accordance with Section 901;
3. Unoccupied and an unsafe building or residential structure with suspected Code violations as determined by an Enforcement Officer;
4. Unoccupied and an Enforcement Officer has issued an order to correct Code violations;

Exemptions: For the purposes of this title, only the following properties are exempt:

- a. All properties owned by the federal government, the state of Oklahoma, and all political subdivisions thereof.

1003.2 Maintenance. The owner, owner's authorized agent, or operator of the premises shall maintain the property in the following manner:

1. The owner will protect and maintain the exterior of the building or residential structure as follows:
2. Exterior walls, including foundations, will be maintained so that water does not penetrate into basements, cellars, or other interior areas. All exterior walls and foundations must be free of holes and crevices;
3. Exterior doors, windows, skylights, and similar openings will be maintained weather tight;
4. Exterior stairs, porches, entrance platforms, fire escapes, and the railings thereon shall be maintained in a safe and sound condition;
5. Roofs shall be maintained in weather tight condition;
6. Exterior surfaces shall be maintained in good condition. Surfaces not inherently resistant to deterioration shall be treated with a protective coating of paint or other suitable preservative;
7. The coverings for windows and doors shall comply with Chapter 9 of this Code. The materials will be designed and of such color so as to blend in with the finish of the building
8. The premises shall be kept free of insects and vermin and will be treated if necessary;
9. All exterior signs, awnings, and lighting systems, if not removed, shall be maintained in a non-deteriorated and safe condition.
10. Structural members will be maintained to resist and prevent deterioration;
11. Ceilings, walls, floors, and stairways will be maintained in a non-deteriorated and safe condition.
12. Chimneys, smokestacks, flues, gas vents, smoke pipes, and connectors will be maintained structurally safe and smoke tight;
13. Fuel tanks will be maintained so as not to be a hazard or will be disconnected in a manner consistent with the International Fire Code;

14. Storm water drainage systems will be maintained so as to function properly and be kept free from obstructions, leaks, and defects. Sewage systems will be similarly maintained or will be sealed so as to prevent accumulation of sewage gases in buildings;

15. Electrical fixings, devices, wiring, and systems will be maintained in safe in a manner which will avoid a potential source of ignition or shock or service will be discontinued; and

16. Elevators, dumbwaiters, and escalators will be maintained or taken out of service in accordance with applicable provisions of the building Code.

Exceptions:

1. Processing, storage and operation areas that require cooling or special temperature conditions.
2. Areas in which persons are primarily engaged in vigorous physical activities.